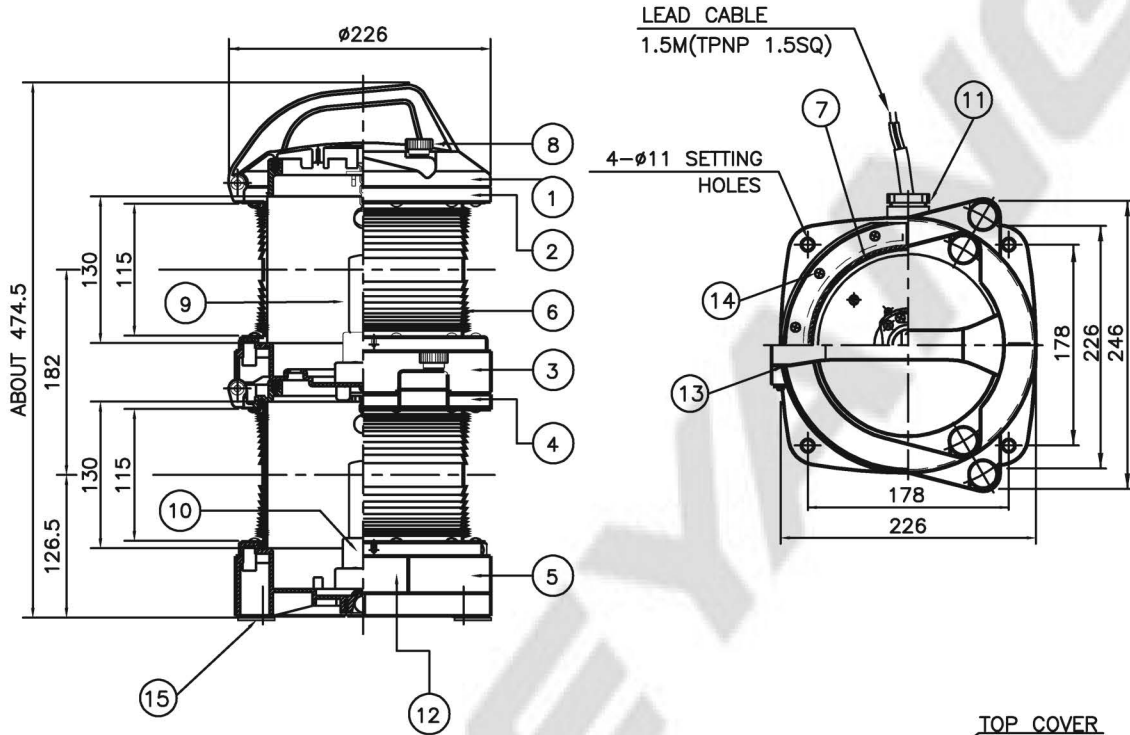


CAPACITY	SYMBOL/ SERIAL NO.	CIRCUIT DIAGRAM
DC 24V		
40W x 2		

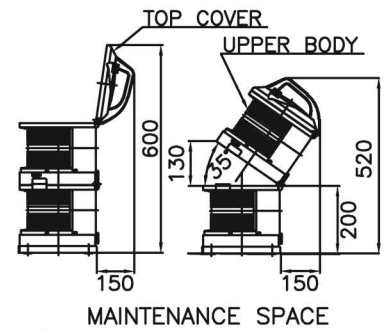


NOTE

1. APPLICATION RANGE : VESSEL OF 50M IN LENGTH AND ABOVE
2. MINIMUM VISIBILITY : 3 N.M

*** CAUTION!!**

Do not install the navigation light upside down.
 Since breathing device is installed on the bottom of fixture.
 (설치 시 주의하십시오. 항해등의 바닥에는 호흡기가 설치되어 있으므로 거꾸로 설치하지 마십시오.)



NO	NAME OF PARTS	MATERIAL	Q'TY	REMARKS	NO	NAME OF PARTS	MATERIAL	Q'TY	REMARKS
15	ANTI-VIBRATION PACKING	C.R.	4	5.0mm	8	CLAMP BOLT	BRASS	4	
14	T/H TAPPING SCREW	STAINLESS STEEL304	48	M4	7	GASKET	SILICONE RUBBER	2	
13	HINGE	POLYCAR-BONATE	2		6	LENS	POLYCAR-BONATE	2	DARK CLEAR
12	NAME PLATE	STAINLESS STEEL316L	1		5	LOWER BODY	POLYCAR-BONATE	1	
11	CABLE GLAND(#20)	NYLON	2	$\phi 12 \sim \phi 15$	4	LOWER TOPPER	POLYCAR-BONATE	1	
10	LAMP HOLDER	PPS	2	P28s	3	UPPER BODY	POLYCAR-BONATE	1	
9	NAVIGATION LIGHT LAMP	-	2	P28s	2	UPPER TOPPER	POLYCAR-BONATE	1	
					1	TOP COVER	POLYCAR-BONATE	1	

APPROVED	B. K. KIM	UNIT	MM
CHECKED		SCALE	N/S
DRAWING	B. I. KIM	COLOR	MAT BLACK
DATE	2015.12.04	IP	56

TITLE;			
WHITE LIGHT FOR MARINE USE			

	MODEL NO.	A2P-DW4024Hh-1.5M-MED	WEIGHT	5.76 Kg
	DWG NO.	L31250136	SHEET NO.	28